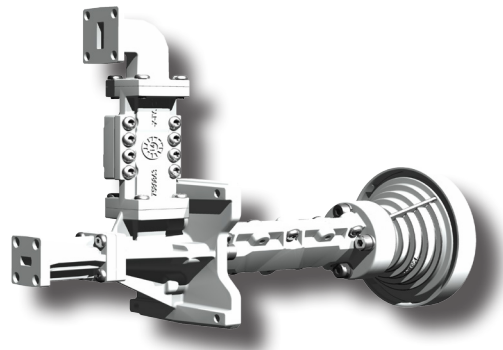


# Ka-Band Circularly Polarized Rx/Tx Feed Assembly



- ISO 9001:2008 Certificate of Registration
- Linear polarization option is available
- Excellent Isolation between TX and RX
- Field switchable from right hand to left hand polarization
- Can be form fit to Ka-Band LNB and transmitter
- All Materials Comply with EU Directive No. 2011/65/EC (RoHS)

The Global Skyware Ka-Band Circularly Polarized Rx/Tx Feed Assembly has been specifically designed for our line of offset reflectors. Electrically tested and matched, these feed assemblies provide maximum performance for demanding commercial applications.

- The dual-mode style feed horn offers enhanced performance for Circularly polarized ka-Band applications.
- Ka-Band components have standard WR28 and WR42 flange for Tx and Rx respectively.

## Specifications

Operating Frequency . . . . .	Tx . . . . .	.28.00-30.00 GHz
	Rx . . . . .	.18.10-20.20 GHz
VSWR . . . . .		1.3:1 Max
Isolation (Port to Port) . . . . .	Tx . . . . .	.90dB
	Rx . . . . .	.80dB
Insertion Loss . . . . .	Tx . . . . .	<0.3 dB
	Rx . . . . .	<0.5 dB
Axial Ratio . . . . .	Tx . . . . .	1.0 dB
	Rx . . . . .	1.4 dB
Feed Interface . . . . .	Tx . . . . .	WR28
	Rx . . . . .	WR42



REV 07/17 - 01

1315 Outlet Center Drive, Smithfield NC 27577

T + 1 (919) 934-9711 F + 1 (919) 989-2274 Sales@skywareglobal.com

All designs, specifications and availabilities of products and services presented in this bulletin are subject to change without notice. © 2017 Global Skyware