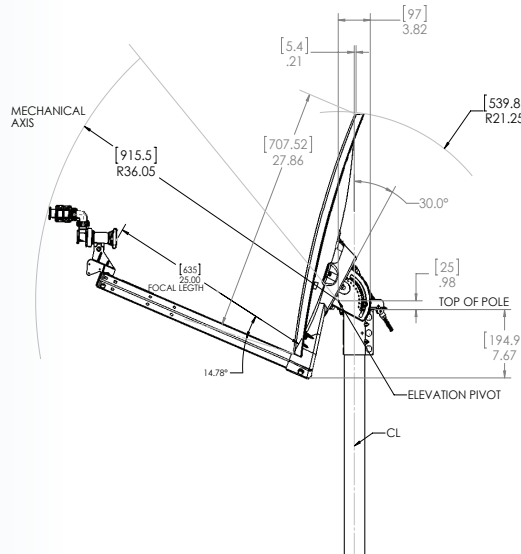


# Type 741: 74cm Rx/Tx Ku-Band High Wind Antenna



- ISO 9001:2008  
CERTIFICATE OF REGISTRATION
- One-piece precision Steel Reflector
- Precision Az/El Mount
- Fine Azimuth and Elevation Adjustment Features
- All Materials Comply with EU Directive No. 2002/95/EC (RoHS)



- 720 Hour Salt Spray Hardware

The **Skyware Global 74cm Rx/Tx Ku-Band High Wind Antenna** is a rugged, commercial quality product suitable for the most demanding applications. This product is capable of operating at high wind speeds of 65mph and above depending on supporting structure.

- The reflector is constructed from Steel for strength and accuracy. A proprietary process developed by Skyware Global ensures high RF reflectivity from powder coated galvanized steel.
- The precision Az/El mount is made from galvanized steel for excellent corrosion resistance. This mount includes special features to increase pointing accuracy with low backlash and lockdown error.
- This Az/El allows the antenna to be installed on any standard (60.3mm) mast or pole.
- All hardware is plated to 720 hour salt spray standards tested in accordance with ASTM B-117.
- Excellent Tx Port to Port Isolation of 90dB or better
- Meets or exceeds regulatory agency requirements



• PRODUCT SPECIFICATIONS

74cm Rx/Tx Ku-Band High Wind Antenna

**RF Performance**

Operating Frequency	
RX.....	10.7 - 12.75GHz
TX.....	13.75 - 14.5GHz
Polarization.....	Linear, Orthogonal, Co-Pol Optional
Midband Gain (+/.5db)	
RX.....	37.5 dBi
TX.....	38.6 dBi
VSWR.....	1.3:1 Max
Pattern Beamwidth -3dB.....	Rx:1.06°; Tx:0.71°
Sidelobe Envelope Co-Pol (dBi)	
100 λ/D < θ < 20°.....	29-25 log θ dBi
20° < θ < 26.3°.....	-3.5 dBi
26.3° < θ < 48°.....	32-25 log θ dBi
0 > 48°.....	-10 dBi (averaged)
Antenna Noise Temperature	
30° Elevation.....	.44K
Cross Polarization Isolation	
.....	.30dB on Axis Min
.....	25dB within 0.5dB contour Min
Output Waveguide Interface Flange	
RX.....	WR75
TX.....	WR75

**Mechanical Performance**

Reflector Material.....	Steel
Antenna Optics.....	1-Piece Offset Feed Prime Focus
Mast Pipe Size.....	2 3/8" (60.3mm)
Elevation Adjustment Range.....	5°-90° Continuous Fine Adjustment
Azimuth Adjustment Range.....	.360°Continuous Course Adjustment ± 5° Fine Adjustment
Shipping Specifications.....	
	Approx. Net Weight: 45lbs (20Kg)
	Approx. Packaged Weight: 55lbs (25Kg)

**Enviromental Performance**

Windloading	
Operational.....	105km/h (65 mph)
Functional Survival.....	162km/h (100 mph)
Ultimate Survival.....	242km/h (150 mph)
Temperature (operational).....	(-40° to 60)°C
Rain (operational).....	1/2"/hr
Atmospheric Conditions.....	
	Salt, Pollutants and Contaminants as Encountered in Coastal and Industrial Areas
Relative Humidity.....	.0 to 100% with Condensation
Solar Radiation.....	360 BTU/h/ft <sup>2</sup>



Satcom solutions for the long haul



REV 03/15-01  
Page 2 of 2