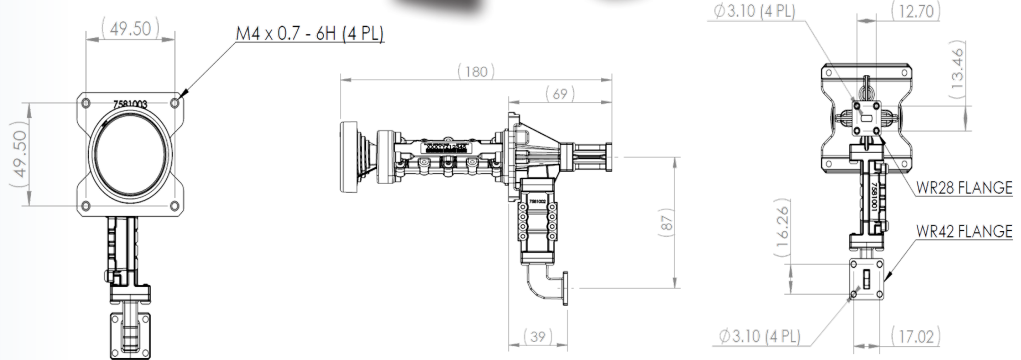
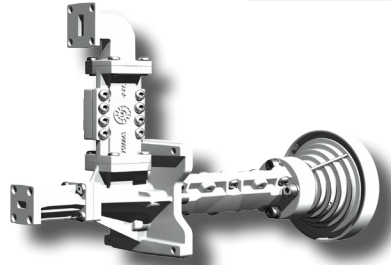


Extended or Standard Ka-Band Circular-Polarized Rx/Tx Feed Assembly



PRODUCT SPECIFICATIONS

- ISO 9001:2008 Certificate of Registration
- Linear polarization option is available
- Excellent Isolation between TX and RX
- Field switchable from right hand to left hand polarization
- Can be form fit to Ka-Band LNB and transmitter
- All Materials Comply with EU Directive No. 2002/95/EC (RoHS)



The **Skyware Global Extended or Standard Ka-Band Circular-Polarized Rx/Tx Feed Assembly** has been specifically designed for our line of offset reflectors. Electrically tested and matched, these feed assemblies provide maximum performance for demanding commercial applications.

- The dual-mode style feed horn offers enhanced performance for Circular polarised Ka-Band applications.
- Extended or Standard Ka-Band components have standard WR28 and WR42 flange for Tx and Rx respectively

SPECIFICATIONS

Ka-Band Circular Polarity Feed

	Standard Ka-Band	Extended Ka-Band
Operating Frequency - TX	29.2 - 30.0GHz	28.3 - 30.0GHz
Operating Frequency - RX	19.2 - 20.2GHz	18.3 - 20.2GHz
VSWR	1:3:1	
Isolation	RX: >80dB	TX: >90dB
Insertion Loss	RX: <0.5dB	TX: <0.3dB
Axial Ratio	RX: 1.4dB	TX: 1.0dB
Interface	RX: WR42 Flat	TX: WR28 Flat



Satcom solutions for the long haul



REV 08/15-01
Page 1 of 1