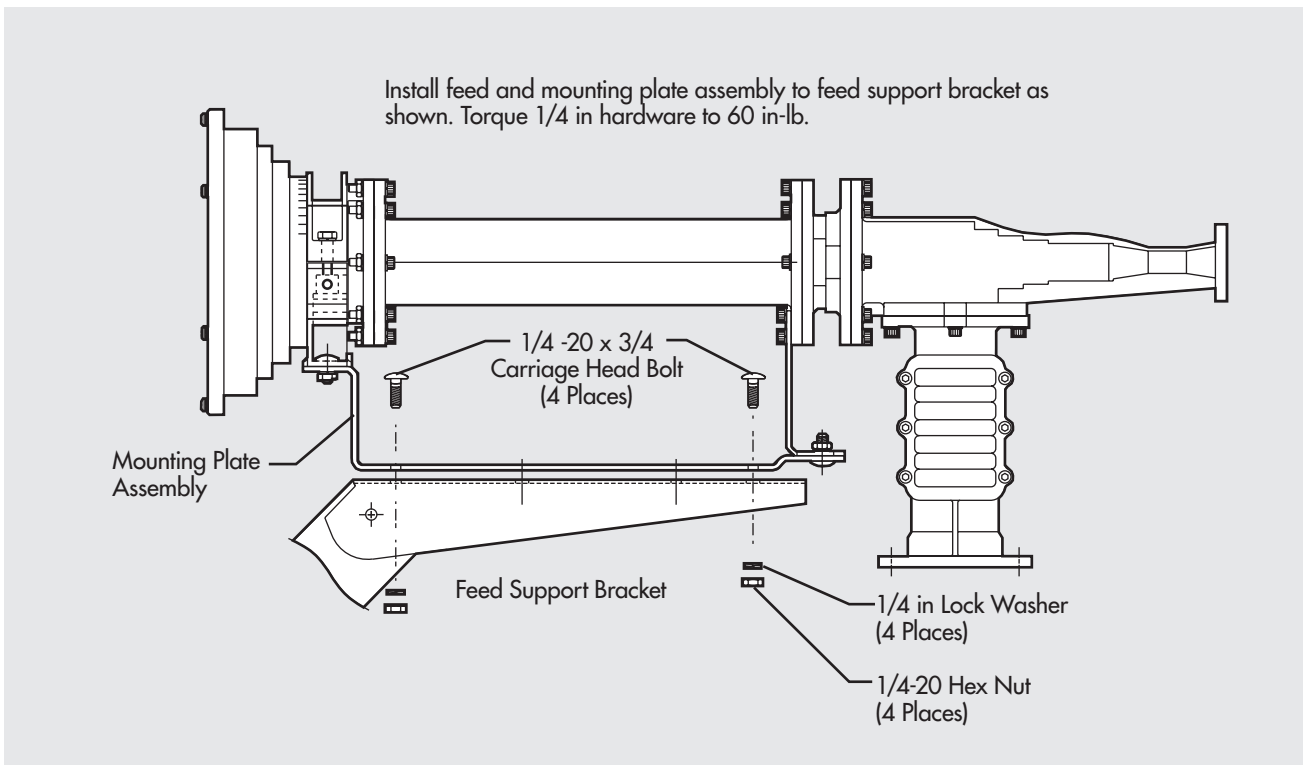
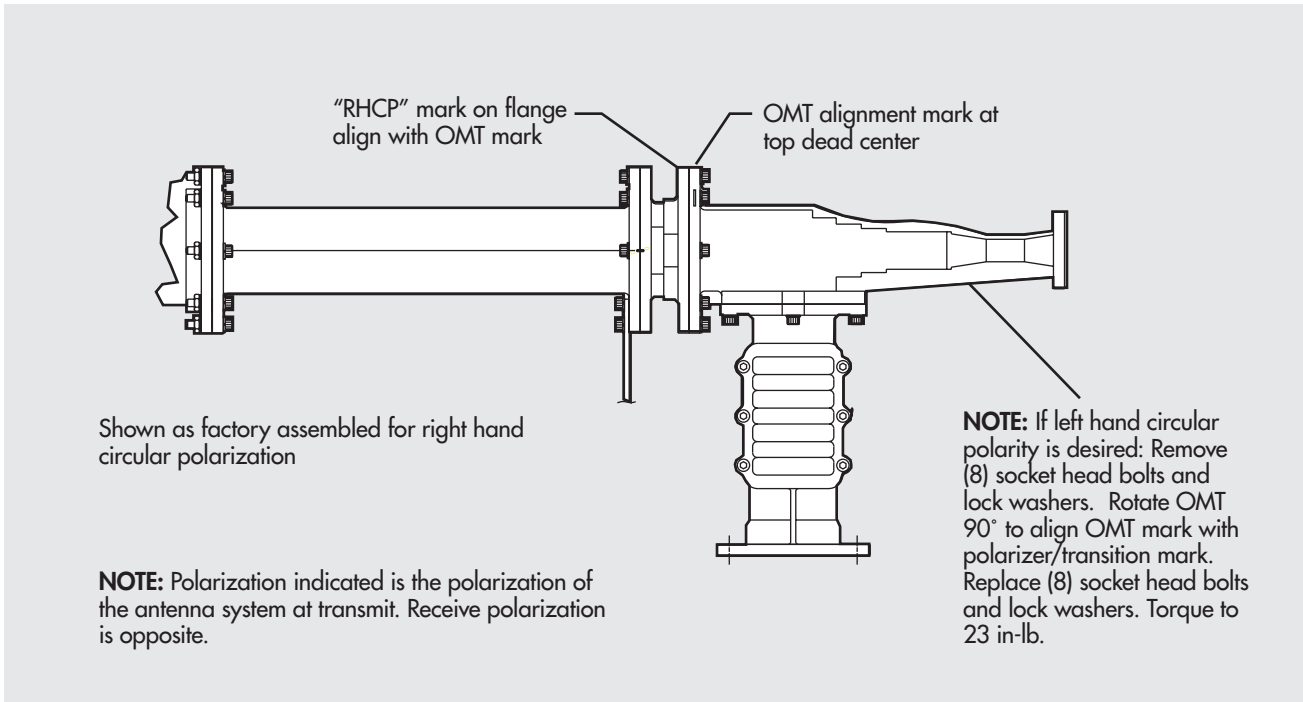


Model 611618407R C-Band, VSAT, Circular Polarized Feed

For Right Hand Circular Polarization



Continued on Back



DO NOT DISCARD CONTENTS

The product in this packaging was placed in the market after August 13, 2005. Its components must not be discarded with normal municipal or household waste.

Contact your local waste disposal agency for recovery, recycling, or disposal instructions.

Model 611618407L C-Band, VSAT, Circular Polarized Feed

For Left Hand Circular Polarization

