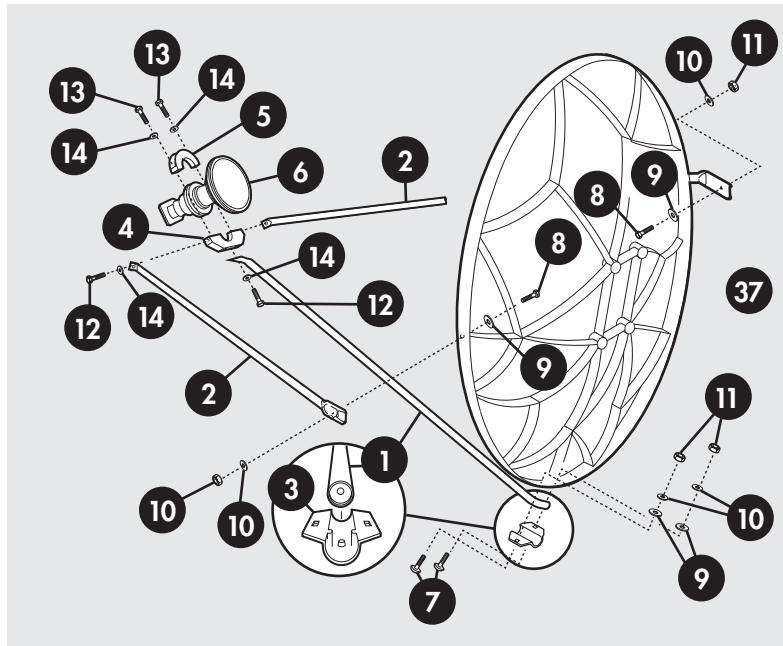


1.8 Meter Reflector with C-band Class I Feed Legs

Model 6116028-08



PARTS LIST

ITEM	DESCRIPTION	QTY
1	Bottom Feed Leg	1
2	Side Feed Leg	2
3	Bottom Feed Leg Clamp	1
4	Feed Assembly Bracket	1
5	Top Clamp	1
6	Feed Assembly (Varies)	1
7	M6 Round Head Square Neck Bolt	2
8	M6 Hex Head Bolt	2
9	M6 Flat Washer	4
10	M6 Lock Washer	4
11	M6 Nut	4
12	1/4 - 20 x .75 Hex Head Bolt	4
13	1/4 - 20 x 1.0 Hex Head Bolt	2
14	1/4 Lock Washer	6

Note: Some parts and hardware shown may be packed with feed assembly and az/el mount.

- Assemble the reflector and az/el mount per the antenna installation instructions.
- Insert bottom feed leg (1) into feed leg clamp (3), aligning hole in feed leg with pin in clamp. Attach feed leg with clamp to bottom of reflector with M6 round head square neck bolts, M6 flat washers, lock washers, and nuts (7, 9, 10, 11).
- Attach side feed legs (2) to reflector with M6 Hex head bolts, flat washers, lock washers and nuts (8, 9, 10, 11). The longer flattened end of side feed legs is the reflector end. Leave hardware finger tight.
- Assemble feed horn clamp to feed legs with 1/4-20 x .75 inch hex head bolts and 1/4 inch lock washers (12, 14). Tighten all M6 and 1/4 inch hardware at this time.
- Refer to feed assembly instructions for details on assembling feed and electronics (LNB & BUC, if equipped). Place feed assembly (6) in bracket and secure with top clamp (5) and 1/4-20 x 1.0 inch hex head bolts and 1/4 inch lock washers (13, 14).
- Refer to main antenna instructions to complete the antenna installation, including electronics connections, grounding, and alignment to the satellite.

