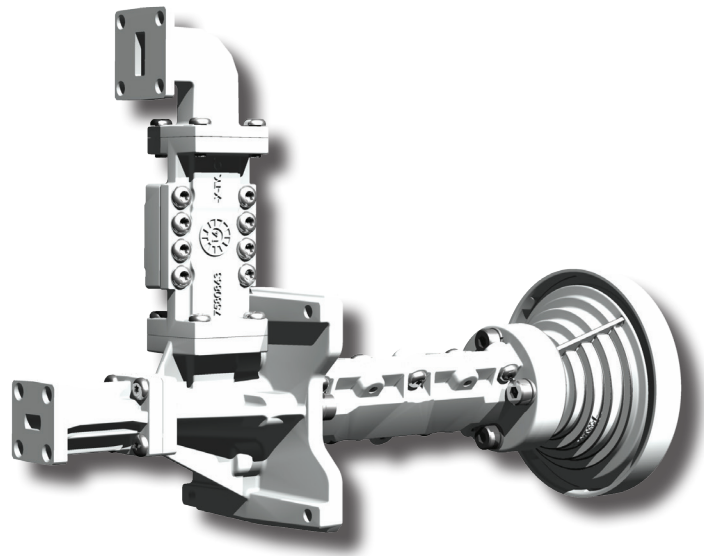


Extended Ka-Band Circular-Polarized Rx/Tx Feed Assembly Model Number: EKAF-8



PRODUCT SPECIFICATIONS

- ISO 9001:2008 Certificate of Registration
- Extended Ka-Band Frequency band
- Linear polarization option is available
- Excellent Isolation between TX and RX
- Field switchable from right hand to left hand polarization
- Can be form fit to Ka-Band LNB and transmitter
- All Materials Comply with EU Directive No. 2002/95/EC (RoHS)



The Skyware Global Extended Ka-Band Circular-Polarized Rx/Tx Feed Assembly has been specifically designed for our line of offset reflectors. Electrically tested and matched, these feed assemblies provide maximum performance for demanding commercial applications.

- The dual-mode style feed horn offers enhanced performance for Circular polarised Ka-Band applications.
- Extended Ka-Band components have standard WR28 and WR42 flange for Tx and Rx respectively

SPECIFICATIONS

Ka-Band Circular Polarity Feed

Rx	Tx
Operating Frequency 18.3 - 20.2 GHz	Operating Frequency 28.3- 30.00 GHz
VSWR 1.3:1	VSWR 1.3:1
Isolation >80 dB	Isolation >90 dB
Insertion Loss < 0.5 dB	Insertion Loss < 0.3 dB
Axial Ratio 1.4 dB	Axial Ratio 1.0 dB
Interface WR42 Flat	Interface WR28 Flat



REV 02/15-01
Page 1 of 1



Satcom solutions for the long haul