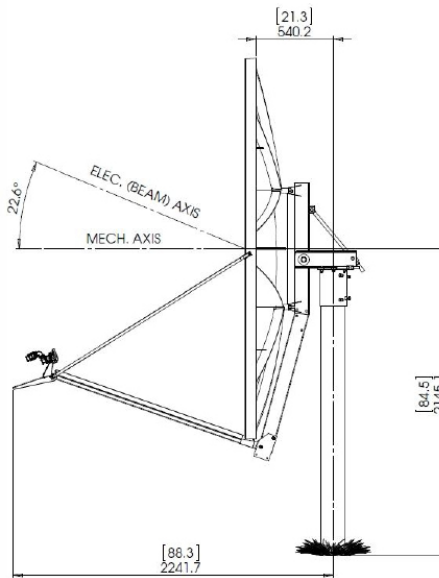


Type243: 2.4m Extended Ku-Band Antenna SFL Rx/Tx Class III



- One-piece precision SMC Reflector
- Precision Az/EI Mount
- Fine Azimuth and Elevation Adjustment Features
- All Materials Comply with EU Directive No. 2002/95/EC (RoHS)



- 720 Hour Salt Spray Hardware
- Standard Waveguide Flange Interface

The Skyware Global 2.4m Extended Ku-Band Antenna SFL Rx/Tx Class III is a rugged, commercial quality product suitable for the most demanding applications.

- The reflector is constructed from glass fiber reinforced polyester [SMC] for strength and accuracy. A proprietary process developed by Skyware Global insures high RF reflectivity as needed for Ku Band operation.
- The precision Az/EI mount is made of galvanized steel for excellent corrosion resistance. This mount includes special features to increase pointing accuracy with low backlash and lockdown error.
- This Az/EI allows the antenna to be installed on standard 168mm [6.63"] OD installation mounts.
- All hardware is plated to 720 hour salt spray standards under ASTM B-117.
- Cross-Polarization Isolation of 30dB on axis
- Excellent Tx Port-to-Port Isolation of 90dB or better
- Meets or exceeds regulator agency requirements
- Heavy-duty Class III mount for 11 kg (25 lb) RF Electronics (LNB & BUC).



• PRODUCT SPECIFICATIONS

RF Performance

Operating Frequency

TX12.75 -14.5 GHz
 RX10.70 -11.7 GHz

Polarization

..... Linear Orthogonal

Gain (±0.3 dB)

TX48.9 dBi @ 14.3 GHz
 RX46.8 dBi @ 11.2 GHz

3 dB Beamwidth

TX0.6° @ 14.3 GHz
 RX0.8° @ 11.2 GHz

Sidelobe Envelope (Tx, Co-Pol dBi)

Mainbeam < θ < 20° 29-25 log θ dBi
 20° < θ < 26.3° -3.5 dBi
 26.3° < θ < 48° 32-25 log θ dBi
 48° < θ < 180° -10 dBi (Typical)

Antenna Cross-Polarization

..... 30 dB (on Axis)
 26 dB in .5 dB Contour

Antenna Noise Temperature

10° EL 55K°
 20° EL 46K°
 30° EL 45K°

VSWR

Tx1.3:1 Max
 Rx1.5:1 Max

Isolation*(Port to Port)

Tx 90 dB
 Rx 40 dB

Feed Interface

Tx WR75 Flat Flange
 Rx WR75 Flat Flange

(All specifications typical)

With Skyware Global OMT/Filter)



2.4m Extended Ku-Band Antenna

SFL Rx/Tx Class III

Mechanical Performance

Reflector Material.Glass Fiber Reinforced Composite

Antenna Optics 2-Piece Offset Feed Prime Focus

Mount Type Elevation Over Azimuth

Elevation Adjustment Range10° - 90° Continuous
 Fine Adjustment

Azimuth Adjustment Range 360° Continuous; ± 12°
 Fine Adjustment

Feed SupportRegular Section with Alignment Legs

Mast Size6.63" (168mm) Diameter

Antenna Weight. Approx 110.65Kg (Not Including
 Mast)

Environmental Performance

Operational Wind Speed..... 80km/h (50 mph)

Functional Survival 200km/h (125 mph)

Operational Temperature-50°C to +80°C

Humidity.....0 to 100% (Condensing)

Atmosphere.....Standard Hardware 720 Hrs SST
 Requirements (ASTM B-117)

Solar Radiation360 BTU/h/ ft²

Shock and Vibration..... As Encountered during
 Shipping and handling



REV 08/14-01
 Page 2 of 2